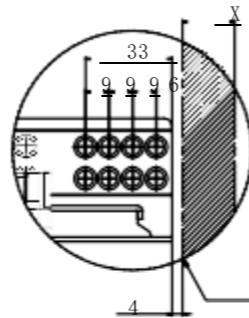


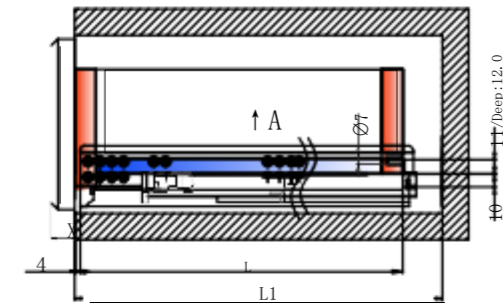
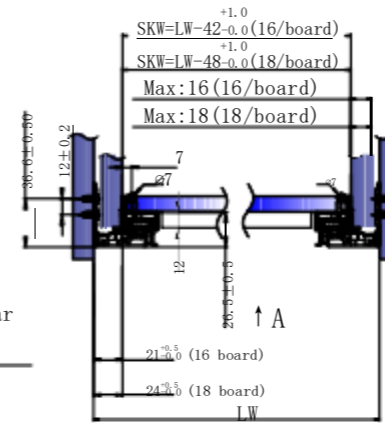
Installation Dimensions

SKW= (Internal Drswer Width)

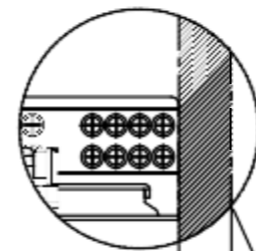
LW= (Internal Cabinet Width) x =(Drawer panel thickness)



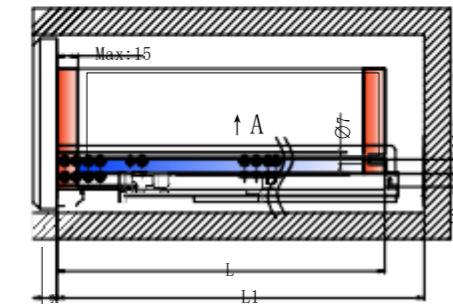
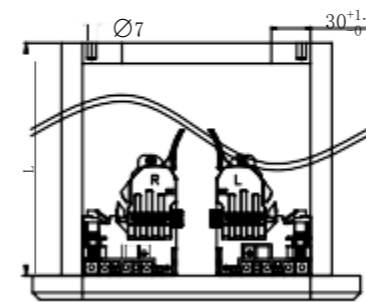
: Standrad Drawar edge



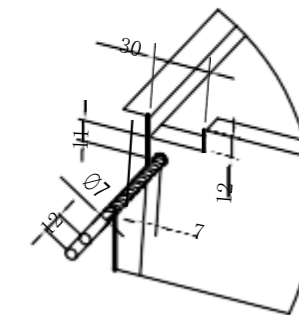
Standrad Drawar



Inner Drawar edge



Inner Drawar



VP-301SH (VP-301SH Full Extension Soft-closing concealed slide with Handle)				
(Item No)	Norminal length L	L1 (Cabinet inner Min depth L1)		(Packing (Set/Cnt))
		Standrad Drawar	Inner Drawar	
VP-301SH	250MM	268MM	268MM+X ^{+0.5} _{-0.5}	10
VP-301SH	300MM	318MM	318MM+X ^{+0.5} _{-0.5}	10
VP-301SH	350MM	368MM	368MM+X ^{+0.5} _{-0.5}	10
VP-301SH	400MM	418MM	418MM+X ^{+0.5} _{-0.5}	10
VP-301SH	450MM	468MM	468MM+X ^{+0.5} _{-0.5}	10
VP-301SH	500MM	518MM	518MM+X ^{+0.5} _{-0.5}	10
VP-301SH	550MM	568MM	568MM+X ^{+0.5} _{-0.5}	10

VP-301SH